

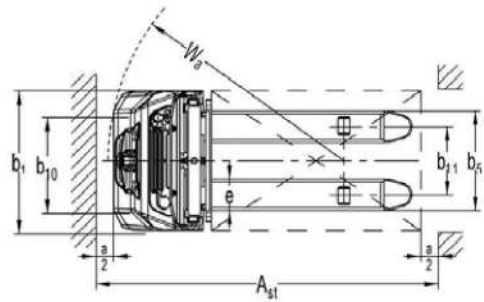
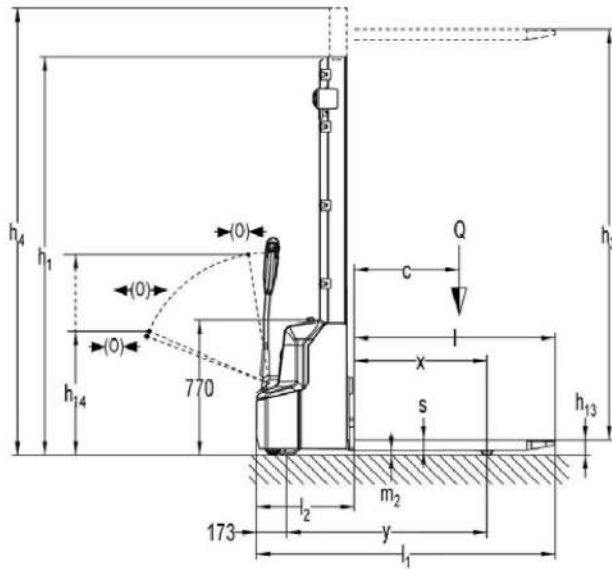
Baoli

KBS / I / M

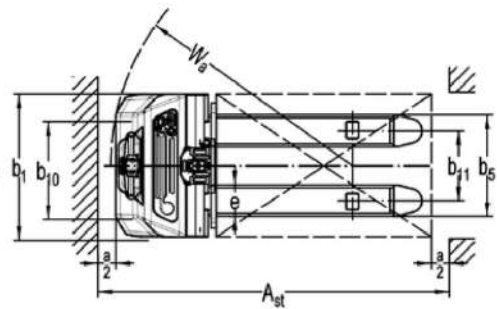
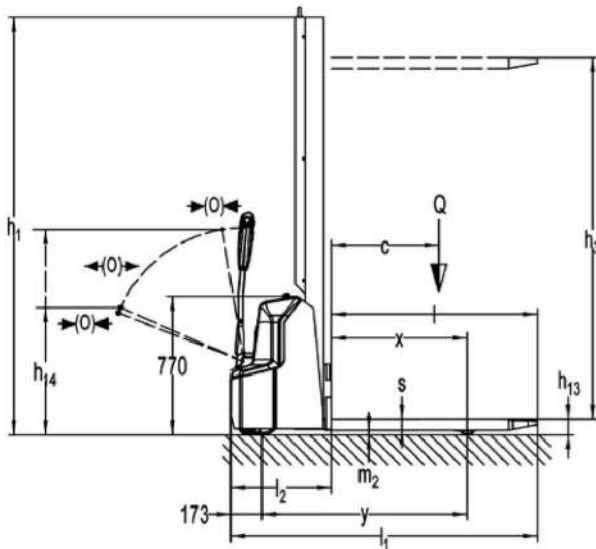


Baoli

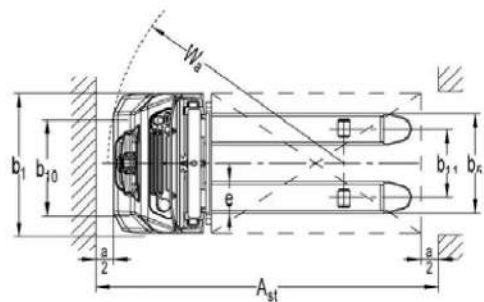
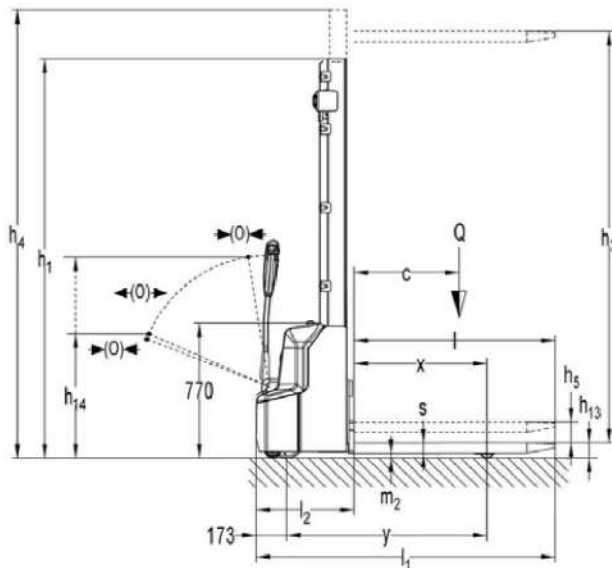
1.1	Manufacturer		KION BAOLI
1.2	Manufacturer's type designation		KBS 12
1.3	Drive: electric, diesel, petrol, fuel gas		Electric
1.4	Operator type: hand, pedestrian, standing, seated, order-picker		Pedestrian
1.5	Rated capacity / Rated load	Q (t)	1.2
1.6	Load centre distance	c (mm)	600
1.8	Load distance, centre of drive axle to fork	x (mm)	710
1.9	Wheelbase	y (mm)	1097
2.1	Service weight	Kg	590
2.2	Axle loading, laden front/rear	Kg	510/1300
2.3	Axle loading, unladen front/rear	Kg	435/175
3.1	Tyres: solid rubber, superelastic, pneumatic, polyurethane		PU
3.2	Tyre size, front		Ø 210x75
3.3	Tyre size, rear		Ø 84x93
3.4	Additional wheels (dimensions)		Ø100x50
3.5	Wheels, number front/rear (x = driven wheels)		1x+1/2
3.6	Tread, front	b10 (mm)	550
3.7	Tread, rear	b11 (mm)	400/515
4.2	Height, mast lowered	h1 (mm)	2280
4.3	Free lift	h2 (mm)	-
4.4	Lift	h3 (mm)	3514
4.5	Height, mast extended	h4 (mm)	4037
4.9	Height drawbar in driving position min/max	h14 (mm)	710/1150
4.15	Height, lowered	h13 (mm)	86
4.19	Overall length	l1 (mm)	1710
4.20	Length to face of forks	l2 (mm)	560
4.21	Overall width	b1/b2 (mm)	800
4.22	Fork dimensions ISO 2331	s/e/l (mm)	60/180/1150
4.25	Distance between fork-arms	b5 (mm)	570/685
4.32	Ground clearance, centre of wheelbase	m2 (mm)	24
4.34.1	Aisle width for pallets 1000 x 1200 crossways	Ast (mm)	2167
4.34.2	Aisle width for pallets 800 x 1200 lengthways	Ast (mm)	2133
4.35	Turning radius	Wa (mm)	1300
5.1	Travel speed, laden/unladen	km/h	4,2/4,5
5.2	Lift speed, laden/unladen	m/s	0,110/0,140
5.3	Lowering speed, laden/unladen	m/s	0,130/0,110
5.8	Max gradeability, laden/unladen	%	5/10
5.10	Service brake		Electromagnetic
6.1	Drive motor rating S2 60 min	kW	0.65
6.2	Lift motor rating at S3 15%	kW	2.2
6.3	Battery according to DIN 43531/35/36 A, B, C, no		No
6.4	Battery voltage/nominal capacity K5	V/Ah	24/60
6.5	Battery weight	kg	17
6.6	Energy consumption according to VDI cycle	kWh/h	0.59
8.1	Type of drive unit		DC
10.7	Sound pressure level at driver's seat	dB (A)	<70



KBS 12



KBSM 12



KBSI 12

KBS 12						
Mast	Single stage 1600mm	Single stage 2000mm	2 stages 2600mm	2 stages 2900mm	2 stages 3200mm	2 stages 3600mm
H1	1940	2340	1790	1940	2090	2290
H2	1514	1914	-	-	-	-
H3	1514	1914	2514	2814	3114	3514
H4	2064	2464	3064	3364	3664	4064

KBS 12	
1600 mm	
H3 (mm)	Q (kg)

--	--	--

1600	1200	1000
c (mm)	600	700

KBS 12	
2000 mm	
H3 (mm)	Q (kg)

--	--	--

2000	1200	1000
c (mm)	600	700

KBS 12	
2600 mm	
H3 (mm)	Q (kg)

--	--	--

2600	1200	1000
c (mm)	600	700

KBS 12	
2900 mm	
H3 (mm)	Q (kg)

--	--	--

2900	900	700
2500	1200	1000
c (mm)	600	700

KBS 12	
3200 mm	
H3 (mm)	Q (kg)

3200	800	600
------	-----	-----

2900	900	700
------	-----	-----

2500	1200	1000
------	------	------

c (mm)	600	700
--------	-----	-----

KBS 12	
3600 mm	
H3 (mm)	Q (kg)

3600	700	500
------	-----	-----

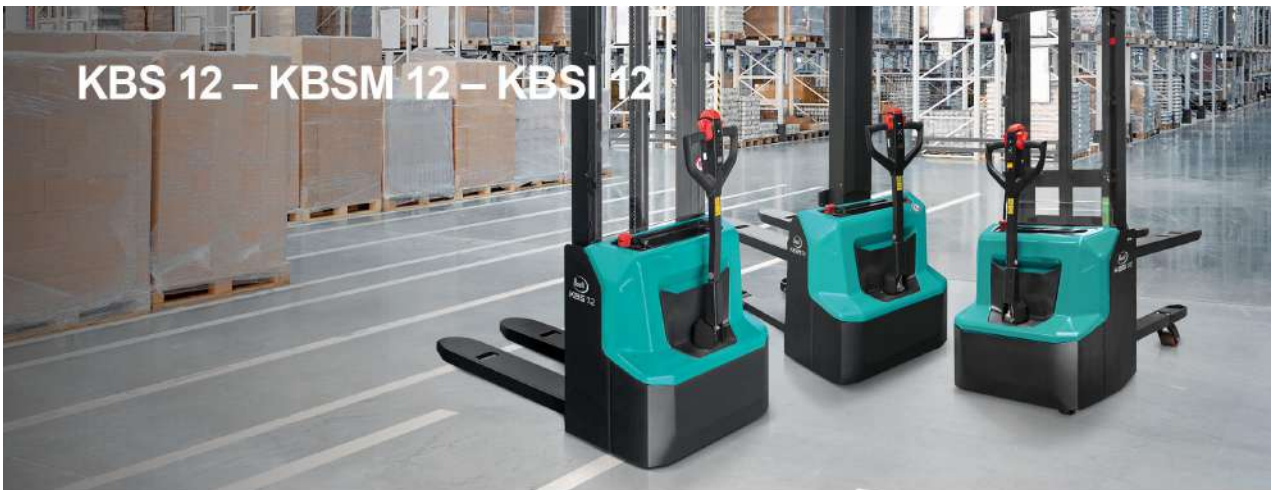
3200	800	600
------	-----	-----

2900	900	700
------	-----	-----

2500	1200	1000
------	------	------

c (mm)	600	700
--------	-----	-----

## KBS 12 – KBSM 12 – KBSI 12



The KBS 12 is the entry-level model in our range of electric pallet stackers. With a capacity of 1,2 tons, the truck is available with single and two-stage telescopic mast and lift heights up to 3.600 mm. Forks are available with an overall width of 570 or 685 mm for different load unit standards. Stability is guaranteed by four-wheel chassis. The KBS 12 is the perfect choice for light-duty applications in small and medium-sized warehouses. KBS 12 range can be used for pallet stacking, transports of goods and low-level order picking. Due to its compact dimensions, KBS 12 operates even in the tightest working areas and narrow aisles; in addition, driver can easily manoeuvre the truck in tight areas with the tiller raised in vertical position. KBS 12 is the first Baoli stacker equipped with maintenance-free lithium-ion battery. Lithium-ion battery and built-in charger allow easy intermediate charging, ensuring high availability and flexibility; the battery can be recharged at any 230 Volts socket. Drive and lift functions are

operated via the ergonomic tiller handle, easy to use with either hand. Multifunctional display on the tiller shows hour meter, battery charge status and service information. Pin code access ensures protection against unauthorized use and avoids problem of lost keys. The long tiller arm ensures ergonomic control of the truck; less force is needed to steer the truck and the driver is at a safe distance from the vehicle. Center-mounted tiller and mast profile ensure excellent view of the forks and the load. The panel in front of the mast prevents the driver from injuries. The truck is also available with initial lift function (KBSI 12) and single stage mono mast (KBSM 12). Initial lift offers advantage by providing higher ground clearance for better handling on light ramps and floor bumps. KBSM 12 (mono mast version) is suitable for a wide range of applications: pallet stacking, transports of goods and low-level order picking. The mono mast also provides the driver with the best view of the fork tips, so pallets can be handled easily.

### Technology and features

- ✓ 24 V / 60 Ah lithium-ion battery and built-in charger: quick and easy charging directly 230 V socket
- ✓ Single and two-stage telescopic mast up to 3600 mm lifting height
- ✓ Forks with an overall width of 570 or 685 mm
- ✓ Compact dimensions and creep speed function for tightest working areas
- ✓ Tiller easy to use with either hand
- ✓ Multifunctional display
- ✓ Pin code access
- ✓ Transparent mast cover to prevent operator's injuries
- ✓ Excellent view of the forks and the load
- ✓ Metal motor cover
- ✓ Initial lift function (KBSI 12) and mono mast (KBSM 12) available for a wide range of applications.

